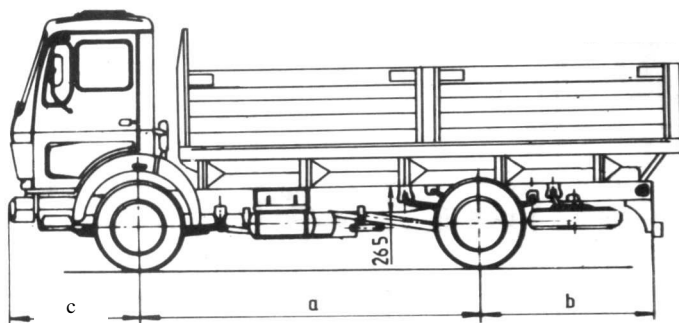


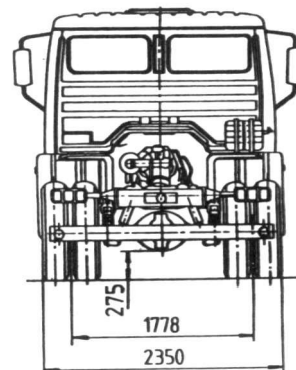
FAP 1824 B/45,4x2



FAP KORPORACIJA a.d. PRIBOJ



a-4500
b-1715
c-1410



TEŽINA	/ WEIGHT	[kg]
Dozvoljena ukupna masa	/ Perm.gross vehicle weight	18.000
Opterećenje prednje osovine	/ Allowed front axle load	6.500
Opterećenje zadnje osovine	/ Allowed rear axle load	11.500
Korisna nosivost	/ Useful payload	11.000
MOTOR	/ ENGINE-type	MB OM 906 LA EU5
Broj cilindara	/ Number of cylinders	6
Prečnik/ hod klipa	/ Bore/stroke	102/130 mm
Radna zapremina	/ Displacement	6370 cm ³
Snaga	/ Power	175 KW (238 KS) / 2200 min ⁻¹
Maksimalni obrtni moment	/ Maximal torque	810 Nm/1200-1600 min ⁻¹
ELEKTOINSTALACIJA	/ ELECTRICAL SYSTEM	24 V
SPOJNICA	/ CLUTCH	MF 395 ZF-SACHS
MENJAC	/ GEARBOX	ZF 6S 800
OSOVINA PREDNJA	/ FRONT AXLE	VL 4/ 28D-6,7 t
OSOVINA ZADNJA	/ REAR AXLE	HL 7D/ 07-13 t
UPRAVLJAČ	/ STEERING	PPT/ ZF 8045
KABINA	/ CABIN	Kratka/short
TOVARNI SANDUK – ROLO CERADA	/ PAYLOAD BODY - roller shutter	6060x2430x800 mm
NAPLATCI	/ RIMS	9.00 x 22,5
PNEUMATICI	/ TYRES	12R 22,5 152/148 L
REZERVOAR ZA GORIVO	/ FUEL TANK CAPACITY	200 l
PERFORMANSE	/ PERFORMANCES	
ELASTIČNO OSLANJANJE	/ ELASTIC SUSPENSION	vazdušno/air
Maksimalna brzina	/ Top speed	98 km/h
Maks. savlađivanje uspona	/ Max. climbing ability	44 %

FAP KORPORACIJA a.d. PRIBOJ
SEKTOR MARKETING

FAP CORPORATION j.s. PRIBOJ
MARKETING DEPARTMENT

Tel./ faks: +381 33 55 639; email: marketing@fap.co.rs